

White Paper II

Steps for Moving Psychoenergetics Science Research Into the Hands of Interested General Public Researchers

by

William A. Tiller, Ph.D. and Walter E. Dibble, Jr., Ph.D.

The William A. Tiller Foundation

Steps for Moving Psychoenergetics Science Research Into the Hands of Interested General Public Researchers

by

William A. Tiller, Ph.D. and Walter E. Dibble, Jr., Ph.D.

Rationale for This White Paper

Intention-host devices for "space-conditioning" our world to the SU(2) EM gauge state where human consciousness and focused human intention can be utilized to lift science, technology, education, business, human capabilities and future potential are desperately needed. However, our orthodox scientific and educational establishments are completely ignoring the presence of this new work. Just as in the days of Galileo, when the high priests of society refused to seriously look at the experimental data (which defied their specialized understanding), the same situation exists today in our society. Today's orthodox science is "stuck" in a worldview that seriously limits its usefulness to society.

Because of the foregoing, we have decided to assist interested members of the general public who wish to avocationally involve themselves in their own psychoenergetic types of investigations. For this they will need (1) their own unimprinted intention-host device, (2) a small Faraday cage and (3) some procedure or device that indicates some level of change in the EM gauge symmetry state of their experimental space.

Towards this end, we are making available to those interested buyers, the same type of UED (unimprinted electrical device) and Faraday cage that we used in our 1997 to the present experiments. These can be purchased directly from our website, www.tiller.org for a price of \$250 each (\$500 for 1 UED plus 1 Faraday cage). We cannot promise that the UED purchaser will be able to convert this UED to an effective IIED as we have always been able to do. All we can promise is that we are purchasing the UEDs in bulk quantities from the same manufacturer that we have used for the past 10 years and that we have asked the manufacturer to assemble the device in exactly the same way as he has done in the past. A brief historical review of this particular UED development is given in Appendix I.

Key Information Concerning the UED

1. Circuit Diagram and Manufacturer's Connection Changes

Figure 1 is a copy of the UED circuit diagram that we thought we

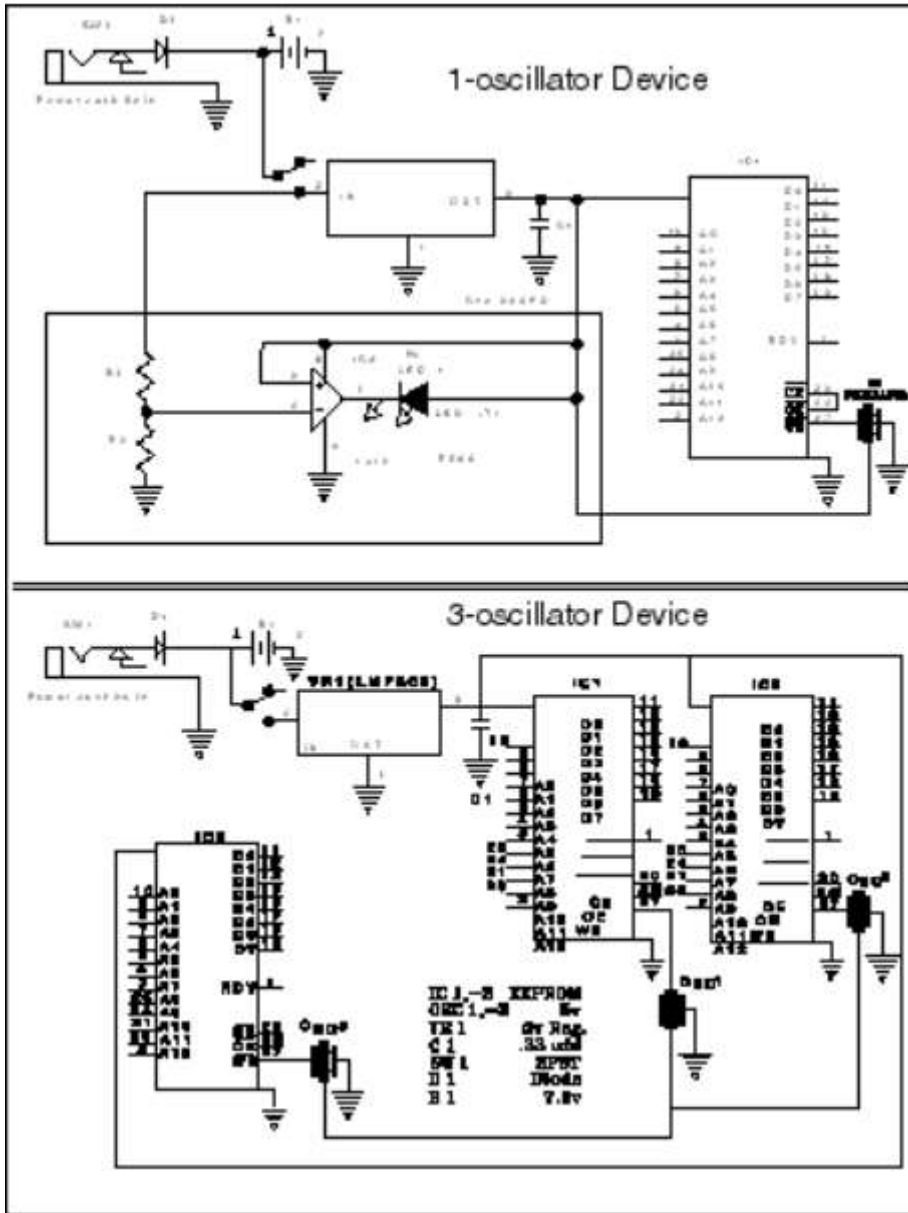


Figure 1.
Circuit diagrams for the electronic devices used as host devices for our intention imprinting.

were using during our Minnesota and later experiments. However, in about 2005, we learned that our manufacturer had actually been providing us with UEDs wherein the EEPROMs had been unintentionally connected to yield pin 6 (A4) and 8 (A2) tied together and grounded whereas, from Figure 1, pins 20 (-CE) and 22 (-OE) should have been tied together.

Once we discovered this, we altered the offending EEPROM connections to be fully consistent with the Figure 1 design. However, when we attempted to imprint such a rectified device, we found that they would not successfully hold the imprint charge. Only when we

went back to the original manufacturer-delivered EEPROM connections in the UEDs were we able to successfully imprint the UEDs to satisfactory IIEDs. Thus, although we are working towards a new type of UED based on a new type of design, until that is available in a year or so, we will continue to use the original Minnesota design UED whose total electrical power output is less than 1 microwatt in the 1-10 megahertz frequency range.

Early on in our experimental program it was discovered that, even in the switched-off state, some form of information leakage was occurring between an imprinted device (IIED) and a switched-off unimprinted device (UED) or other types of objects. Thus, within about a week, the imprint charge leaked away from the IIED and it was eventually converted back to essentially the UED state. We subsequently found that, by wrapping the IIED and its power converter completely in aluminum foil and placing them in an electrically-grounded Faraday cage, the intention charge information decay rate was greatly diminished and that the IIED had a useful life of about 3-6 months depending upon the environment.

2. Our Device Imprinting Process

In the past, we have converted UEDs to IIEDs via the use of two, three, four or six well-qualified meditators. In this process to follow, we always considered the imprinting as a sacred process and that higher intelligences in the "unseen" universe did most of the real work. In this way, our imprint statement could be considered as something like a prayer. Initially, we used four people (two men plus two women) who were all accomplished meditators (decades of regular meditative practice) who were coherent and highly inner self-managed.

The process began by placing the UED and its power converter (plugged into a 60 cycle wall outlet and to each other with the UED switched on) on a table-top around which the meditators sat quietly. They first entered a quiet communion with each other and then expanded that to include the "unseen". When this communion felt good, a signal was given to mentally cleanse the local environment and any prior imprints or entanglements associated with the two objects on the tabletop. Then, attention was given (for ~ 4-5 minutes) to creating the table-top objects as a "sacred" space wherein the specific intention was to be imbedded. Then, a signal was given, by one of us, to focus on the specific intention statement read aloud by that individual.

For example, for our water pH-studies, it was:

“Our intention for this IIED is (1) to activate the indwelling consciousness of the experimental space where it is to serve, (2) to activate this indwelling consciousness sufficiently to lift the electromagnetic (EM) gauge symmetry state of that experimental space from our normal, uncoupled state (the $U_e(1)$ gauge state) to the coupled state (the $SU(2)$ EM gauge state) of physical reality and (3) to tune that state so that the pH of the experimental water in equilibrium with air will increase (or decrease) by one full pH unit compared to the control i.e., that the H^+ content of this water decreases (increases) by a factor of 10 ”.

This intention statement is held in the mind and visualized with a strong emotional content by the four “sitters” for about 15 minutes and then abruptly released when the verbal statement “So be it! – Thy will be done!” is given.

Next, a final signal is given to shift focus to a secondary intention statement designed to seal the imprint charged into the device to minimize leakage. This is held by all for about 5 minutes and then abruptly released with the statement “So be it! – Thy will be done!”

An example of a sealing imprint statement is the following:

“Our subsidiary intention is that the prime directive imprint charge should remain with the IIED without any unnecessary leakage into the environment during either storage or activated device use. May they be sealed and protected against all outside interference through all time, all space, all planetary systems and all dimensions”

3. How does one monitor the space to detect a change in EM gauge symmetry state?

We monitor the space via use of our subtle energy detector which measures $\delta G^*_{H^+}$ mentioned earlier and plotted in Figure 6 of White Paper I. This provides us with a quantitative measurement. A much simpler qualitative measure will be provided here.

With the proper choice of pH-electrode measurement system (see below), one obtains values for (a) the electrode voltage, V_e , (b) the measured pH and (c) the electrode slope, S , given by $\Delta V_e / \Delta \text{pH}$. Mathematically, one can show that the governing equation between these three variables is

$$V_e = S(\text{pH}_{U_e(1)} - 7) T_{\text{corr}} \text{ where } T_{\text{corr}} = (T + 273.15) / 298.15. \quad (1)$$

Here, T is the actual room temperature and $\text{pH}_{U_e(1)} = 7$ occurs when $V_e = 0$ for an ideal electrode.

We now define an entirely new parameter for the pH electrode, N , and label it "the Nernst parameter, in honor of the great physical chemist of the 1800s, where

$$N = S/V_e(pH-7)T_{corr} \quad (2)$$

Of course, from Equation 1, N should be equal to unity for the $U_e(1)$ state where $pH = pH_{U_e(1)}$ (which can be directly calculated from standard data). Experimental data indeed shows us that, for unconditioned spaces, $N=1$, is usually observed. Thus, experimentally finding that N is significantly above unity or below unity is an indication that the experimental space is somewhat conditioned. The user may consider the magnitude of $N-1$ as a direct measure of change of the EM gauge symmetry state from the $U_e(1)$ level. The sign of $N-1$ is presently thought to be an indication of the type of magnetic monopole charge that is dominant in the experimental space (south-pole when $N-1$ is greater than unity (alkaline) and north-pole when $N-1$ is smaller than unity (acidic). Table 1 and Figure 2 illustrate some N -value changes in our own pH work.

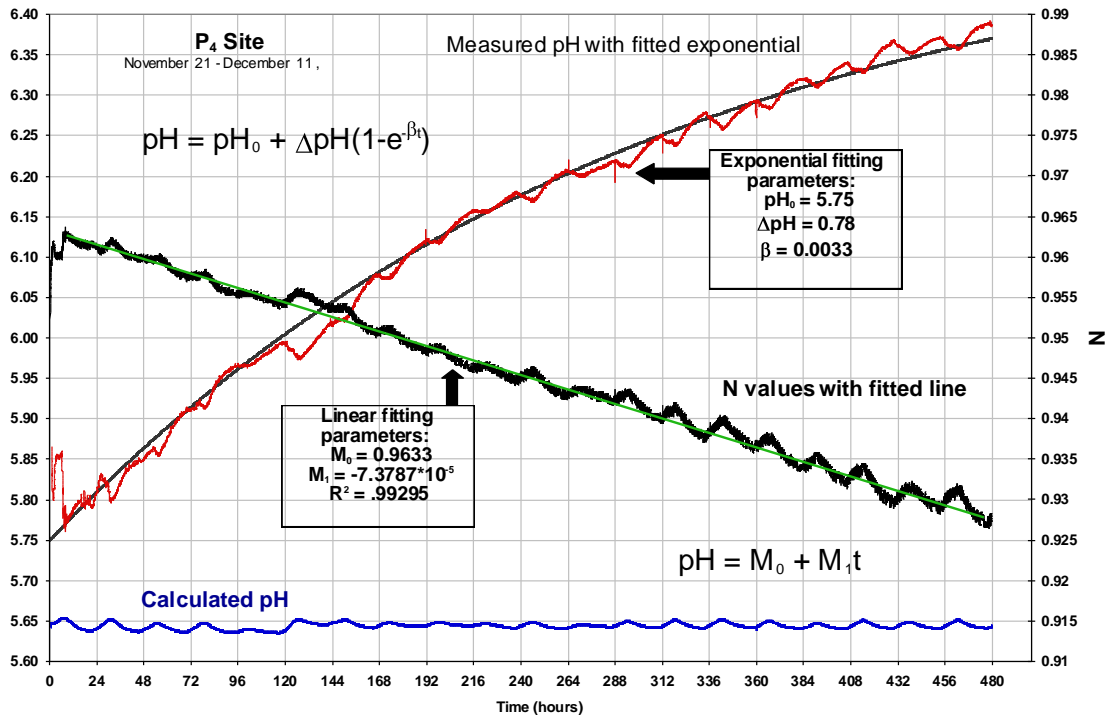


Figure 2 *pH and Nernst-parameter (N) vs. time with fitted curves. Calculated pH is based on equilibrium between pure water and air as a function of measured water temperature.*

Table 1 Values for $\Delta\Psi_{H^+} = \Delta\Psi_{H^+}^*$ (meV) when $\Delta N = 1$ for all of the various sites operating in our overall experimental system.

Site	$\Delta\Psi_{H^+}^*$ (meV)	Recent N-values	% departure from 1.00
P ₁	36.87	.89	11
P ₂	65.0	1.14	14
P ₃	51.13	.98	2
P ₄	54.22	.87	13
M ₁	-11.25	1.3	30
K ₁	76.0	.98	2
B ₂	20.85	1.23	23
B ₁	59.84	1.04	4

In this Table, P=Payson, K=Kansas, M=Missouri, B₂=Baltimore and B₁=Bethesda and the subscript numbers stand for particular measurement stations located at these geographic sites (see Reference 1) as of ~January 25, 2003.

4. Specific equipment that can be used for pH-studies

To analyze pH data properly, using the theoretical method we use⁽¹⁾, requires a measurement system (pH meter hardware and data recording software) that provides (1) pH, (2) electrical output of the pH electrode (in mV), and (3) sample water temperature (°C.) as separate fields in the output. For example, some commercial systems provide as output (to a PC) pH and temperature or temperature and electrical output but not all three together. There are two commercially available pH measurement systems that we have found that provide the 3 items noted above.

The two pH systems that can be used are the Mettler-Toledo SevenMulti pH system and the Hanna pH measurement systems. Both products include software that stores the measurement data in a format readily exportable to spreadsheet applications. Once the time-stamped pH, mV, and temperature data is in spreadsheet format, most of data analysis and charting can be done.

The pH electrodes we routinely use are the Thermo-Orion Ross or Ultra Ross electrodes. These are combination electrodes. We also routinely use the Thermo-Orion Pure Water™ buffers that have been specially formulated for calibrating electrodes that will be placed in low ionic strength aqueous samples. However, virtually any manufacturer's pH electrode and pH buffer set can be used.

Our Type I purified water is produced by a Barnstead EasyPure™ RF system. Any source of purified water will suffice (eg. Fisher Scientific), however. Optional

equipment includes an independent temperature measurement system for comparing the water temperature measured by the pH equipment and the air temperature in the room. We routinely use a digital thermometer (ERTCO) that has a resolution of 0.001 °C. for this purpose. In some cases this thermometer is used to obtain higher resolution temperature measurements on the water sample than those provided by the pH equipment.

The cost of this pH-measurement system and accessories is about \$10k.

References

1. W. A. Tiller and W. E. Dibble, Jr., "Toward General Experimentation and Discovery in Conditioned Laboratory and Complementary and Alternative Medicine Spaces: Part V, Data on 10 Different sites using a robust new type of subtle energy detector", JACM 13 (1), 2007, pp 133-149.

Appendix I

A Brief, Historical Review of our UED Development

The Source: The UED (unimprinted electrical device) that was used as our **intention host** for our robustly successful, 1997 to 2000, Minnesota research (published in the book: "Conscious Acts of Creation: The Emergence of a New Physics") was mostly created for the Clarus organization of Qlink and Ally-fame by two inventors, Randy Zeisenis and Johnny Martin. This Ally, in the unprocessed state, was chosen as the "host" for our intention imprinting to the IIED (intention imprinted electrical device) state because it was commercially available and was a good place to start with our subsequent experimental research program. Clarus assisted me in obtaining unprocessed devices from **their** manufacturer.

Unbeknownst to us, or to Clarus, there was a manufacturing error present in these UEDs supplied to both us and to Clarus from this manufacturer. We, in turn, utilized these UEDs, converted to IIEDs, for our Minnesota and subsequent work and, even with this flaw, these IIEDs did a **robust job** of "conditioning" the experimental spaces to a higher electromagnetic (EM) gauge symmetry state than our normal electric atom/molecule level of physical reality. Thus, our four original Minnesota target experiments turned out to be very successful.

The IIED, pH-increasing, water replication experiment utilized the same circuit-flawed UEDs which we converted to IIED-sources and shipped them to the various sites involved as source-sites in the overall experiment. Additional sites, intended to be control-sites, had the same pH and temperature measuring equipment but no IIED was every present at such sites. This aspect of the replication work was robustly successful. In addition, we learned a great deal about information entanglement between IIED-sites and non-IIED sites even when they were separated by distances of several thousand miles. During this

study, we also learned how to build a **detector** for measuring the excess thermodynamic free energy for the aqueous hydrogen ion, H^+ , present in an IIED-conditioned space compared to our normal “unconditioned” space. This work was written in book form and published in Spring 2005 (“Some Science Adventures with Real Magic”). About this time, Randy Zeisenis made me aware of the manufacturing flaw present in these UEDs.

There are **two** important phases involved in the replication by others of our work and they are (1) we provide the space-conditioning IIEDs for their particular experiment and the remote-site folks run the experiment and personally gather the data and (2) the remote-site folks, **themselves**, go through the procedure of starting with a UED and converting it to an effective IIED which can be used as a space-conditioning host for a specific experiment run by others. What has been successfully completed thus far is item (1) above. Now it is time to progress to item (2) above and, to do this, it is necessary to have a reliable commercial source of UEDs available for sale to the general public.